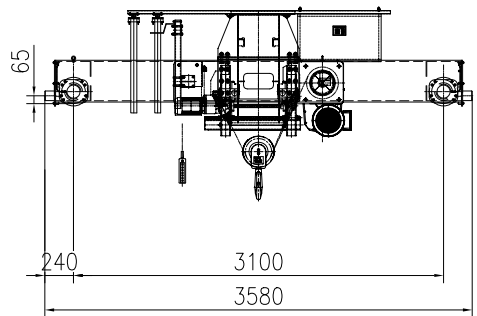
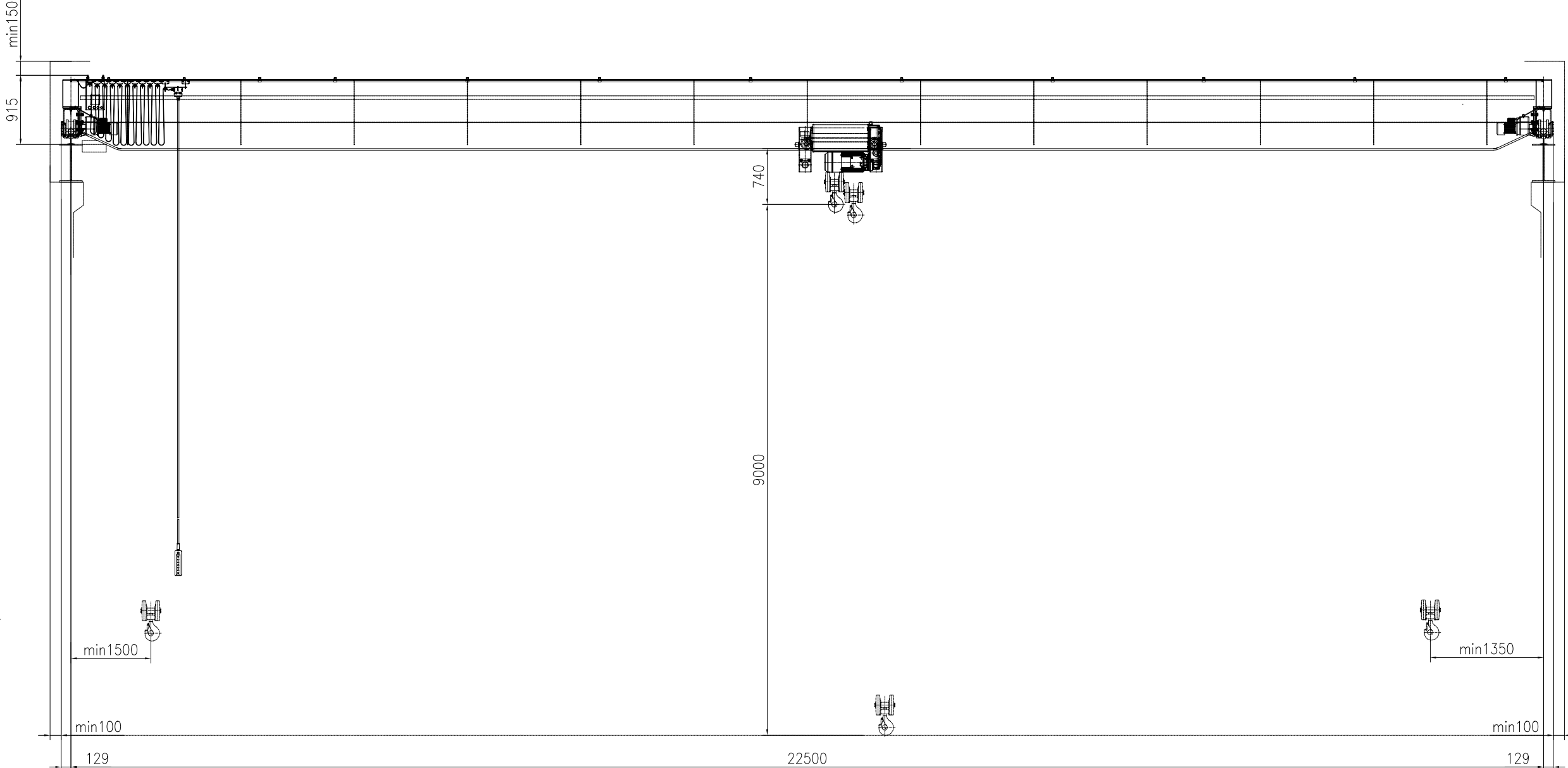
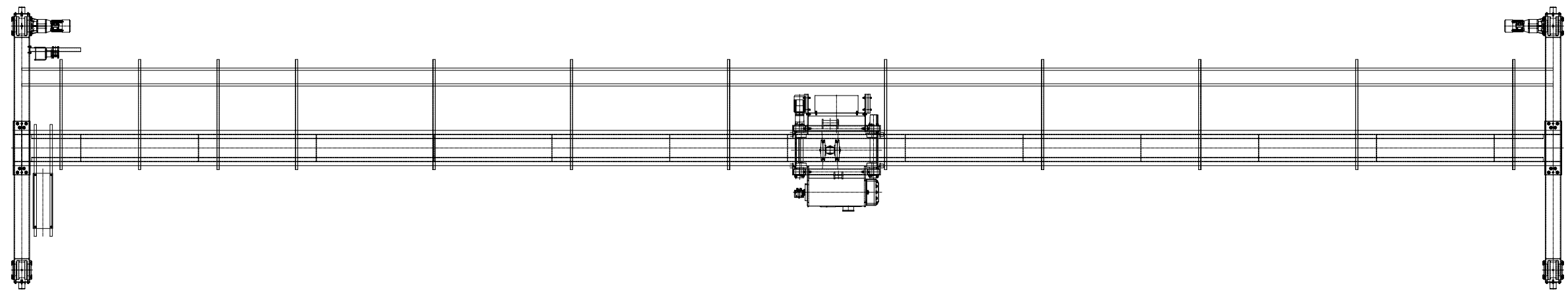


E24072-1



TECHNICAL DATA

- LOAD..... 10 t
- SPAN..... 22.5 m
- LIFTING HEIGHT..... 9 m
- HOISTING SPEED..... 5/0.8 m/min two speed
- TRAVERSING SPEED..... 5-20 m/min Inverter
- TRAVELLING SPEED..... 10-40 m/min Inverter
- TOTAL WEIGHT..... 7.1 t
- POWER SUPPLY..... 380 V/48 V/50 Hz
- CRANE GROUP..... A5
- HOIST GROUP..... M5
- BIRDGE GROUP..... M5
- TOTAL POWER..... 12.66 KW
- MAX.WHEEL LOAD..... 68KN
- RAIL TYPE..... P22



借通用件登记  
描图  
校核  
旧底图总号  
签字  
日期

Description:				Customer:	
GENERAL ARRANGEMENT DRAWING				EUROGRANE	
FHS10-22.5-9 A5				Customer: KENMAN	
SINGLE GIRDER OVERHEAD TRAVELLING CRANE					
P/ID	E24072	Item	01	Dwg. NO.	E24072-1
Drawn	XU QT	24/03/22	Tolerances stated to EN ISO 13920-BF		
Checked	JAYM S.	24/03/22	Dimensions stated to mm unless specifically stated		
Approved	JAYM S.	24/03/22	Revision:	R00	Sheet: 01/01
				Project: CENTRAL JAVA NON-EXPROOF CRANES	